



INTERVAL TIMER SERIES 241—Push Button Reset

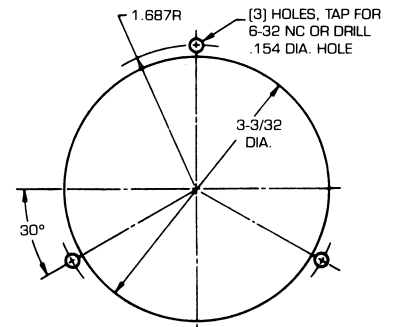
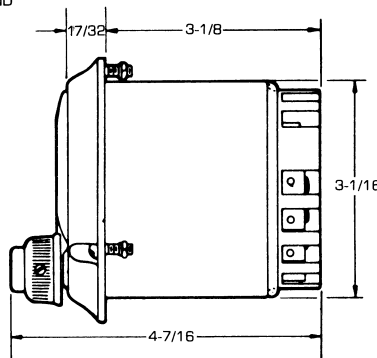
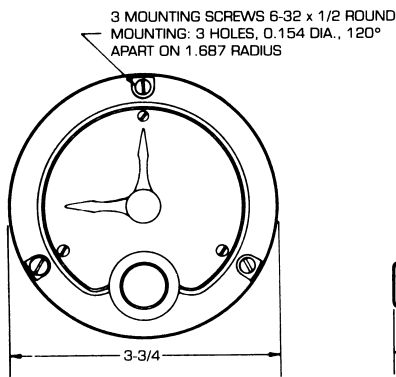
Interval Timers are used to control the length of a procedure or to delay the start of a procedure.

APPLICATIONS INCLUDE:

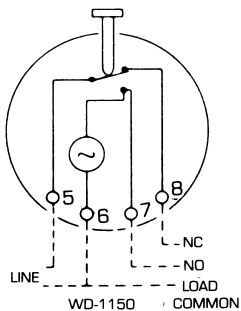
- control process time on commercial dark room equipment
- control baking time on commercial ovens
- control charging time on battery chargers

FEATURES:

- Integral push button
- Heavy duty contacts
- High accuracy
- Automatic reset
- Long life
- U/L-CSA



WIRING



TIME RANGES:			
TIME RANGES	DIAL DIVISIONS	TIME RANGES	DIAL DIVISIONS
6 sec.	0.1 sec.	30 min.	30.0 sec.
15 sec.	0.25 sec.	60 min.	1.0 min.
30 sec.	0.5 sec.	5 hr.	5.0 min.
60 sec.	1.0 sec.	12 hr.	15.0 min.
5 min.	5.0 sec.	24 hr.	30.0 min.
15 min.	15.0 sec.		

Minimum Setting: Two dial divisions \pm 0.5% of full scale.

Repeat Accuracy: \pm 0.5% of full scale.

Dial: Fully enclosed, black on white, high visibility dial with 300° scale protected by plastic dome of excellent optical quality and shock resistance.

Reset: Less than 1/2 second reset time.

Power: Available for 115 or 220 volts at 50 and 60 Hz.

Power Input: 4.75 volt-amperes at rated voltage, 60 Hz.

Load Contacts: Ratings with non-inductive load: 15 amps at 125 volts; 10 amps at 250 volts, SPDT snap-action load contacts are silver-cadmium oxide.

Terminals: Screw-lug terminal block.

Motor: Cramer permanent-magnet motor, quick start, synchronous operation, no coasting on removal of power.

Clutch: Positive, no-slip, 60 tooth ratchet, long mechanical life and high accuracy.

CRAMER specializes in providing sub-fractional motors, timers and electro-mechanical devices to meet your specific application. For special and non-standard designs, consult your CRAMER representative.

CRAMER COMPANY

139 Mill Rock Road, East, Old Saybrook, CT 06475-1261
(203)-388-3574 • 1-800-247-6784 • FAX: (203)-388-9831